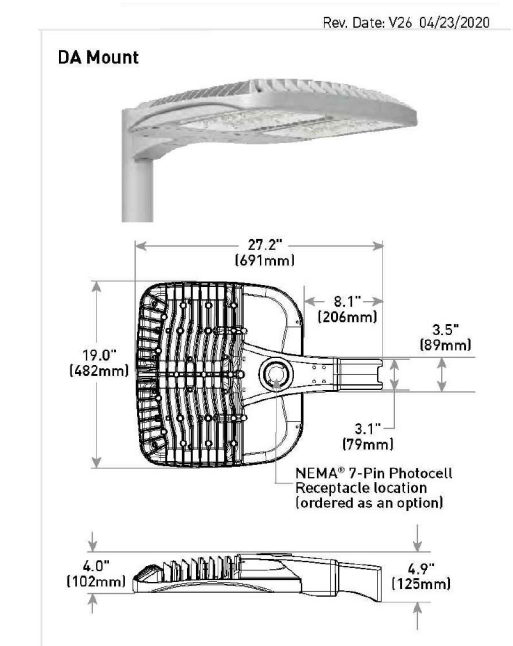


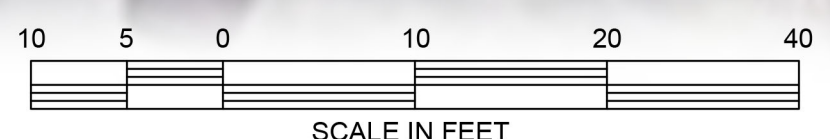
**ALUMINUM PICKET FENCE WITH MASONRY PIERS**



**WOOD SCREEN FENCE**



**LED CUTOFF FIXTURE**



**NOT FOR CONSTRUCTION**

**PARKING CONCEPT PLAN**

**CIVIL ENGINEER / LAND SURVEYOR:**  
  
 KCW Engineering Technologies, Inc.  
 810 Landmark Drive, Suite 215  
 Glen Burnie, MD 21061  
 Phone: 410.768.7700  
 Fax: 410.768.0200  
 www.kcw-et.com

Professional Certification.  
 I hereby certify that these documents were prepared or approved by me, and that I am a duly licensed professional engineer under the laws of the State of Maryland.  
 License No. 27016.  
 Expiration Date 01-31-2022.

**DEVELOPER / APPLICANT:**  
 BETHEL A M E CHURCH 1300 DRUID HILL AVE  
 BALTIMORE MD 21217  
 ATTN:  
 TELE:

**OWNER:**  
 BETHEL A M E CHURCH 1300 DRUID HILL AVE  
 BALTIMORE MD 21217  
 ATTN:  
 TELE:

| REVISIONS |             |
|-----------|-------------|
| DATE      | DESCRIPTION |
|           |             |
|           |             |
|           |             |
|           |             |
|           |             |

KCW J.O.: 2200901  
 SCALE: 1" = 10'  
 DESIGNED: ONB  
 DRAWN: ONB  
 CHECKED: KCA  
 DATE: AUGUST 5, 2020  
 DWG. NO.: **C-101**

**BETHEL A.M.E. CHURCH**  
 1300 DRUID HILL AVE  
 WARD 17 SECTION 10, BLOCK 0396, LOTS 1, 19-22, 51-63  
 CITY of BALTIMORE, MARYLAND