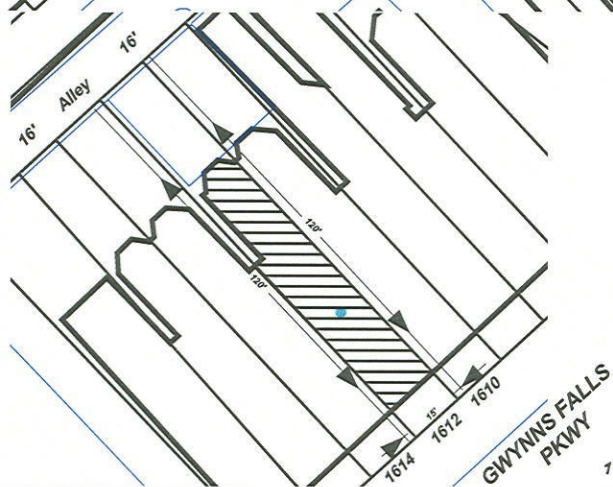


**SHEET 34 OF THE ZONING DISTRICT MAP OF THE BALTIMORE CITY ZONING CODE.**



1" = 100'



1" = 50'

**NOTE:**

*In Connection With Property Known As No. 1612 GWYNNS FALLS PKWY. The Applicant Wishes To Request The Conditional Use Of The Aforementioned Property As A Facility For ASSITANT LIVING As Outlined In Red Above.*

WARD - 13    SECTION - 5    BLOCK - 3236    LOT - 4

\_\_\_\_\_

MAYOR

\_\_\_\_\_

PRESIDENT CITY COUNCIL